

C26 Flow Control Micro Vacuum Pump



Datasheet



Highlights

- Low electromagnetic interference
- Optional corrosion-resistant material
- Long service life under max load
- Modular pneumatic connection options
- Low noise level and vibration
- Driven by BLDC motor
- Industrial-grade reliability
- Good air tightness
- Multiple self-protection
- Compact size

Applications

- Gas sampling
- Medical equipment
- Analytical instruments
- Pneumatic automation

12K hours
lifetime test

PERFORMANCE DATA

Model	Voltage (V DC)	Max. Load Current (mA)	Max. Peak Flow rate (L/min)	Max. Average Flow rate (L/min)	Max. Vacuum (-kPa)		
Material Option A	Diaphragm:EPDM Valves:EPDM Pump Head: Fiber reinforced nylon						
C26L	24V	≤210mA	≥3.6	≥2.4	≥30		
	12V	≤350mA	≥3.6	≥2.2	≥30		
C26M	24V	≤210mA	≥3.0	≥1.8	≥26		
	12V	≤330mA	≥2.8	≥1.5	≥26		
C26S	24V	≤210mA	≥2.0	≥1.2	≥19		
	12V	≤300mA	≥1.8	≥1.1	≥19		
Material Option B	Diaphragm:FKM Valves:FKM Pump Head: Fiber reinforced nylon						
C26L	24	≤300mA	≥3.2	≥2	≥30		

CONFIGURATION OPTIONS

Material Options

Pump Head	Fiber reinforced PA6	
Diaphragm	EPDM	FKM
Valves	EPDM	FKM
Motor	BLDC	

Connector Options

Type A PA hose connector/Type B PP hose connector/Type C stainless steel hose connector
PC6 push-in quick connector/PC8 push-in quick connector /Rc1/8 inside thread

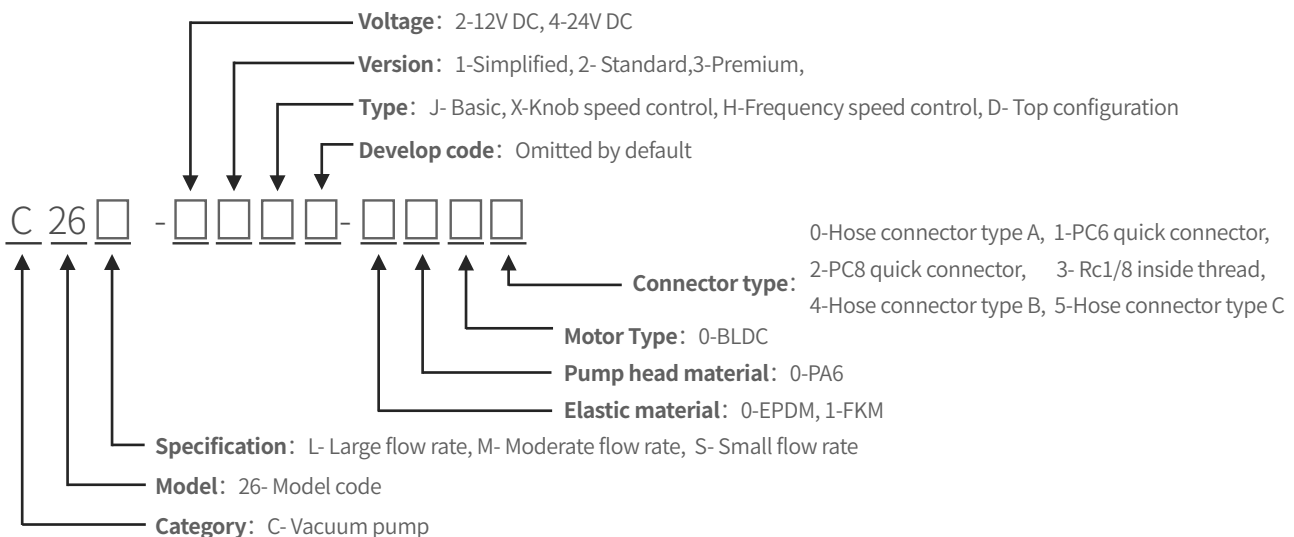
Function Options

Basic type Knob speed control Frequency speed control Top configuration

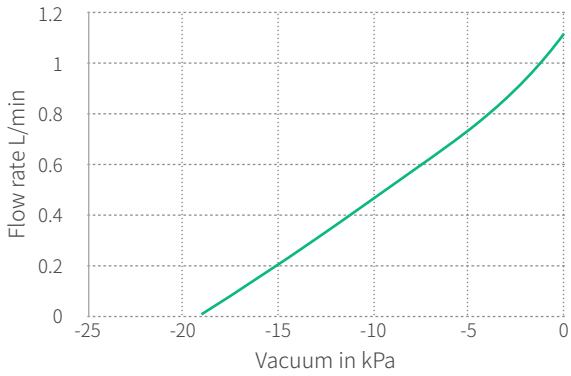
RELIABILITY DATA

Models Versions	C26S C26M C26L		
	Simplified	Standard	Premium
Fully Loaded Lifetime (hrs)	5000	8000	12000
Unloaded Lifetime (hrs)	8000	12000	18000
Motor Lifetime (hrs)	10000	15000	20000
Test conditions	In a clean and non-corrosive laboratory, the pump is fully loaded (the outlet is blocked, the inlet is directly connected to the atmosphere) or unloaded (the inlet and outlet are directly connected to the atmosphere), and runs continuously around the clock; ambient temperature: 5°C~33 °C, relative humidity: 50%-85%, fluctuates with the climate.		
Working Condition			
Operating temperature	Permissible ambient temperature is 0°C~50°C, it is not suitable to be exposed to the sun, and it should work in a clean and ventilated environmen		
Medium	Permissible temperature of the medium is 5°C~50°C, the transferring gas is allowed to be rich in water vapor, but cannot contain solid particles		
Wetted materials	EPDM, FKM as optional; fiber reinforced nylon, tolerance to alcohol, acid, alkali, etc. (except strong acid, concentrated acid, lipids, benzene, gasoline, etc.)		

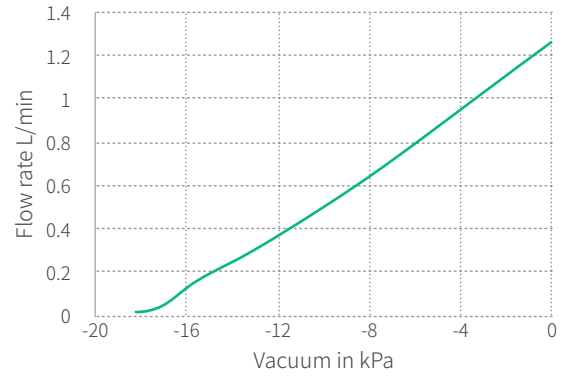
C26 MODEL KEY



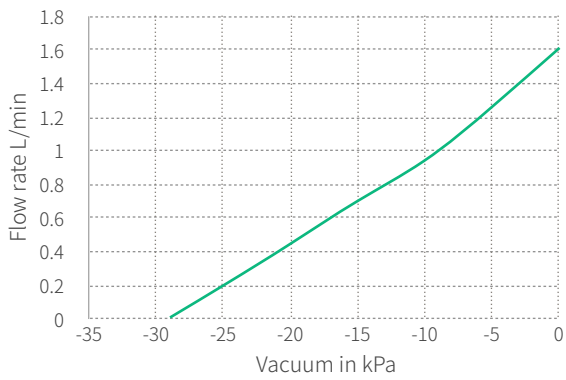
C26S-12V FLOW CURVE



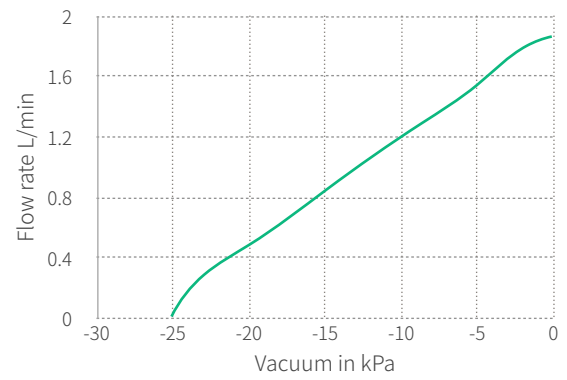
C26S-24V FLOW CURVE



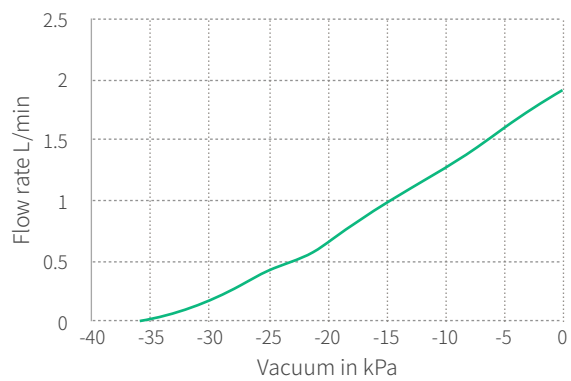
C26M-12V FLOW CURVE



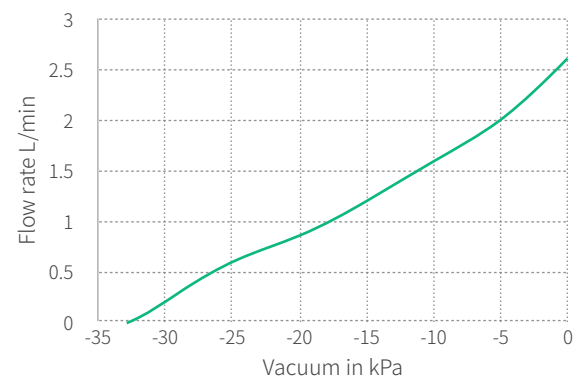
C26M-24V FLOW CURVE



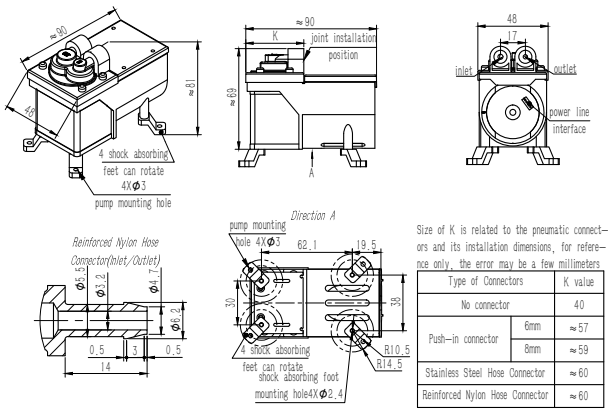
C26L-12V FLOW CURVE



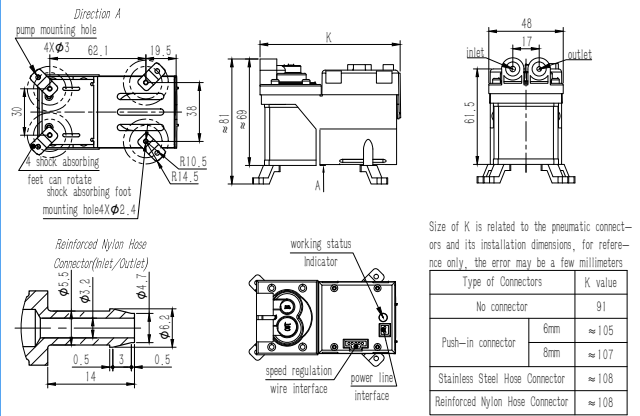
C26L-24V FLOW CURVE



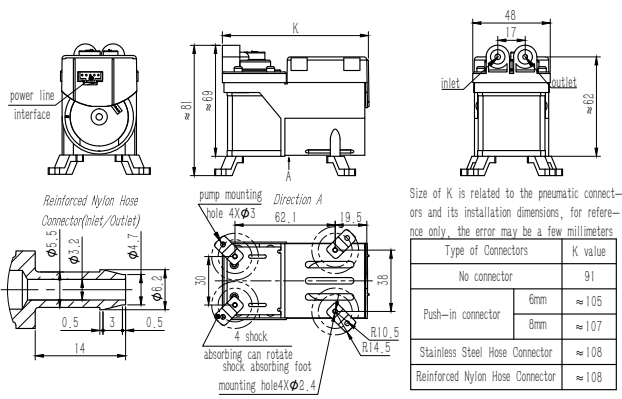
C26 BASIC TYPE DIMENSIONS



C26 KNOB/FREQUENCY SPEED CONTROL TYPE



C26 TOP CONFIGURATION TYPE DIMENSIONS



ACCESSORIES		
Descriptions	Illustration	Function
Shock-isolation mounting feet		Reduce the impact of vibration on the equipment during the operation of the pump. This accessory comes with the pump*4
Filter		The 80-mesh filter protect both pumps and other upstream instrumentation and hydraulic circuits against particulate, crystals and fibers . It is recommended to replace it regularly. This accessory comes with the pump*1
Check valve		Enhance the cut-off capability of the gas circuit system to ensure one-way gas flow. This accessory can be purchased on demand
Flow stabilizer		Eliminate and reduce pulsation, make gas output smooth and stable, this accessory can be purchased on demand
Manual control valve		It can be used to manually adjust the gas flow rate, pressure and vacuum. This accessory can be purchased on demand
DC power adapter		220V AC to DC switching power supply, this accessory can be purchased on demand
Silencer		It is used to eliminate and reduce the airflow noise caused by pumping operation, this accessory can be purchased on demand



To be a driving force in innovation of human fluid technology

Create value for customers by offering high quality fluid solutions

This document is for reference only and does not constitute any promise or guarantee. The parameters and experimental data indicated in this document come from Hilintec life and aging laboratory and supplier laboratories. In the actual user system, due to differences in actual usage conditions and experimental conditions, relevant value will change accordingly. Due to product improvement needs, the parameters may be adjusted without notice. Please contact the manufacturer or agent for confirmation before purchasing. The trademarks, pictures, and logos in this document are owned by Chengdu Hailin Technology Co., Ltd. or a third party with legal rights.



www.mini-pump.com